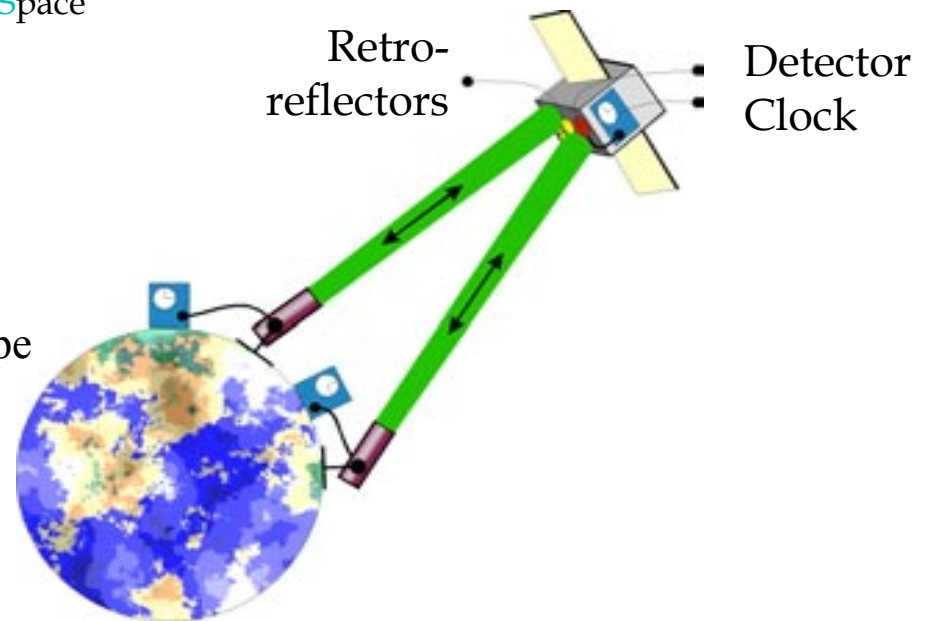


# T2L2 (Time Transfer by Laser Link) OCA/CNES

---

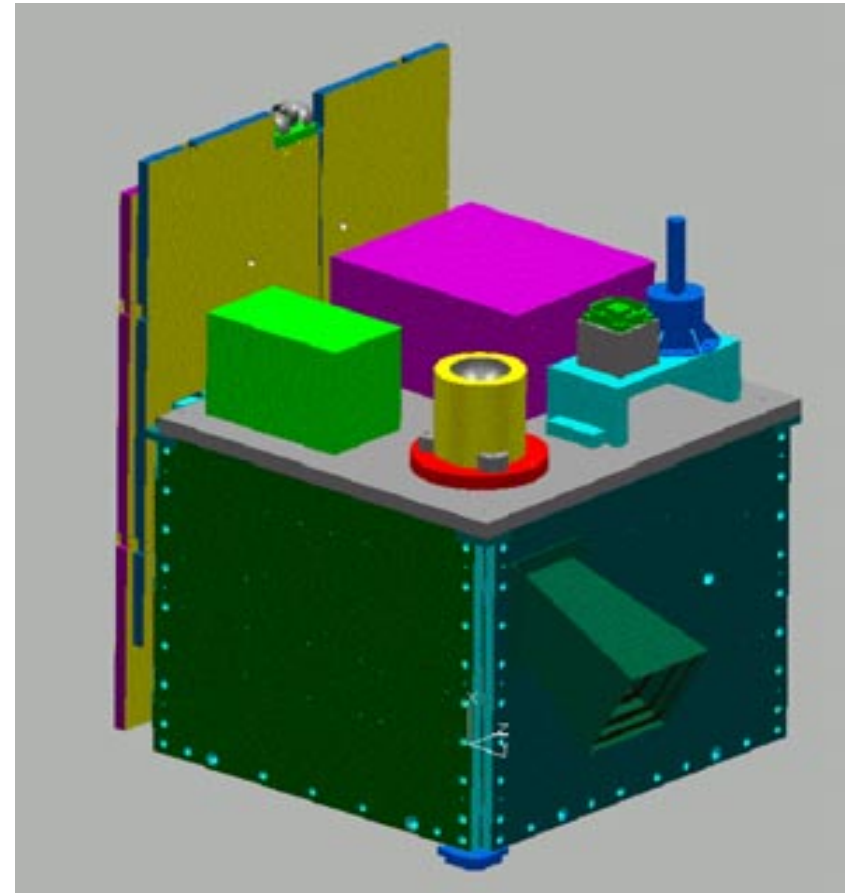
- 1997: T2L2 on board ISS : Scrapped in 2001
  - » ACES (ESA, CNES) : Atomic Clock Ensemble in Space
- 2001: T2L2 on board Microsat Myriade
  - » Phase A for the vehicle
  - » Phase B for the space instrument
- 2001: T2L2 on board the first Galileo prototype



# T2L2 on board Microsat Myriade

---

- Mass < 120 kg
- Attitude control 3 axes
- Hydrazine propulsion
- Power ~ 40 Watts
- Altitude : 700 km
- Orbit : sun synchronous (98°)



# Synoptic of the Galileo prototype (GSTB V2) European Positioning system

- Time stability measurement of the onboard clocks
- Satellite laser ranging and comparison with the micro-wave link
- Calibration of the time transfer microwave-link

